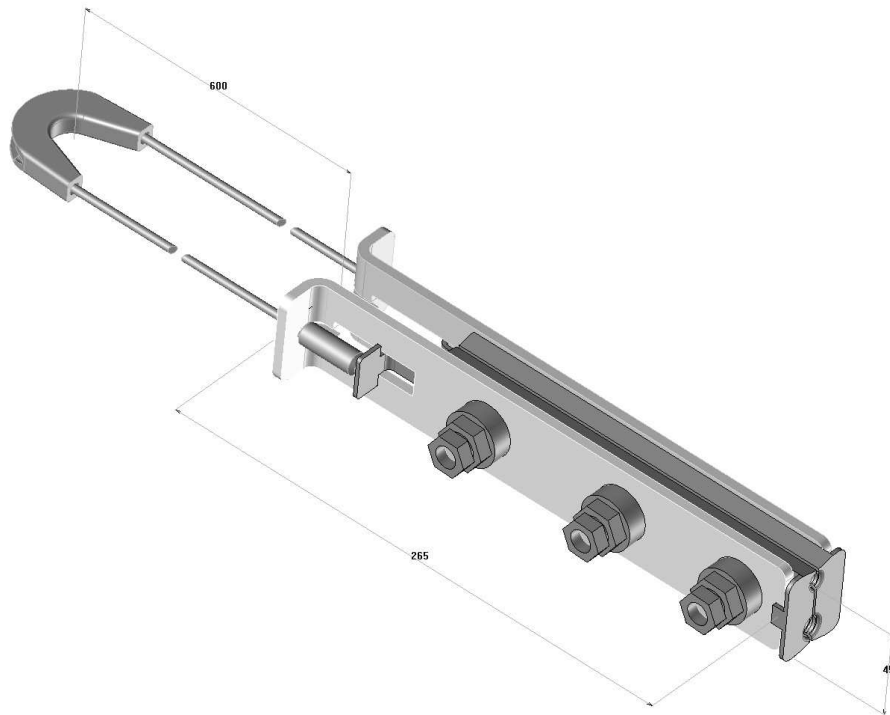


Figure-8 cables with steel or FRP messenger



Description

The AC3B912 3-bolt anchoring clamp is comprised of:

- 2 steel plates
- 2 plastic inserts
- 3 tightening bolts with calibrated shear nuts
- 1 flexible bail wire with 11kV insulator

Installation

- Hang the clamp from the anchoring point.
- Choose which groove of the clamp is to be used, according to the \varnothing of the messenger (9mm or 12mm).
- Position the plastic inserts on the messenger.
- Tighten the nuts of the 3 bolts with a 17mm flat wrench until the plastic nuts shear, guaranteeing sufficient tightness (35Nm² minimum).
- The nuts can be loosened at a later date using a 21mm wrench.

Characteristics

Reference	Capacity (mm)	Minimum breaking load (daN)*
AC3B912	Small groove : 9mm Large groove : 12mm	1900

*: Value obtained using referenced cable

Materials			Weight (kg)	Packaging
Plates / Screws	Jaws / Insulator / Nuts	Bail		
Hot dip galvanised steel	UV protected thermoplastic	Stainless steel	1.37	20 units